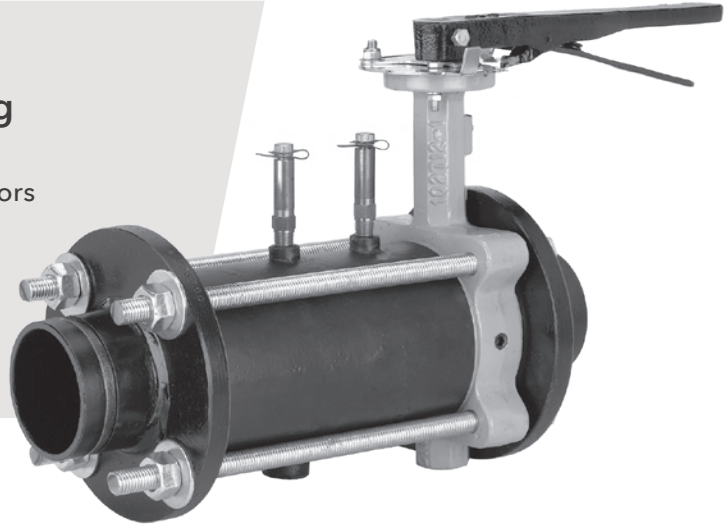


AJ

2.50" - 6.00" Automatic Balancing Valve with Butterfly Valve

NuTech Model AF with Groove X Flange Adaptors

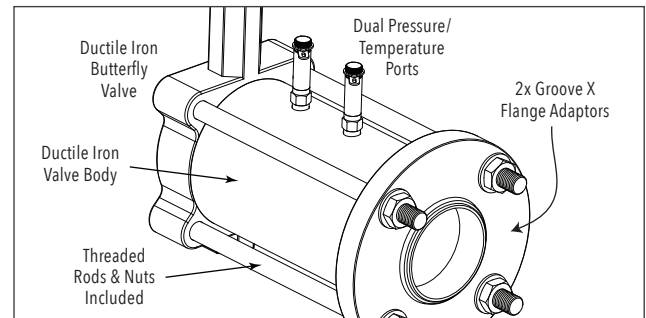


MODEL AF/AJ PRODUCT INFORMATION

PART	MATERIALS
Body (Wafer)	Cast Steel
Cartridge(s)	300 Series Stainless Steel Wear Surfaces with Stainless Steel Spring
Butterfly Valve	Ductile Iron A536 65-45-12
Disc	Aluminum Bronze B148 C954
Stem	Stainless Steel 416 A582
Seat	EPDM with Phenolic Backing
Bushing	Teflon/Fiberglass Backed
Seal	EPDM
End Connection	ANSI Class 125/150# Flanged
Groove X Flange Adaptors	150# Plate with Schedule 40 Steel Pipe, (2x Model GF)
Gasket	1/8" Thick 150# Non-asbestos, Ring
Threaded Rods	Steel Zinc, CR 3 ROHS Compliant
Nuts	Zinc Plated, Heavy Hex Nut
Bolts	(ASTM) A307 Grade B

SPECIFICATIONS

Function:	Automatic Balancing Valve and shut off Butterfly Valve
Sizes:	2.50" - 6.00"
Ratings:	Pressures to 200 PSIG (1380 kPa) Temperatures to 250° F (120° C)
Pressure Range:	Low = 2-32 PSID (2.50" - 6.00") High = 5-60 PSID (2.50" - 6.00")
Accuracy:	± 5% of flow rate



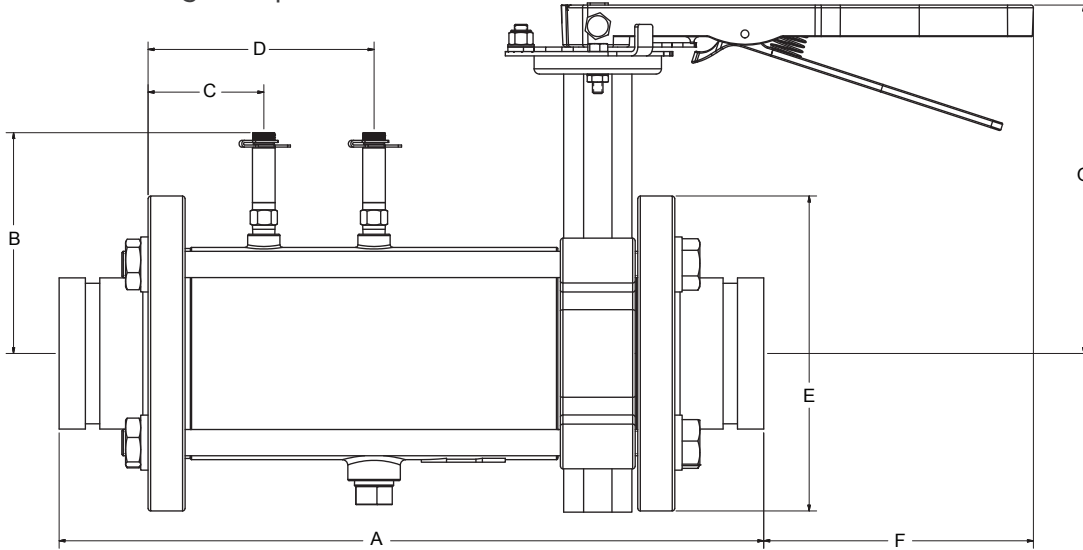
CONNECTIONS

MODEL	SIZE	INLET CONNECTION	OUTLET CONNECTION
AJ - 250	2.50" 65 mm	Groove X Flange Adaptor	Groove X Flange Adaptor
AJ - 300	3.00" 80 mm	Groove X Flange Adaptor	Groove X Flange Adaptor
AJ - 400	4.00" 100 mm	Groove X Flange Adaptor	Groove X Flange Adaptor
AJ - 500	5.00" 125 mm	Groove X Flange Adaptor	Groove X Flange Adaptor
AJ - 600	6.00" 150 mm	Groove X Flange Adaptor	Groove X Flange Adaptor

Threaded Rods, Nuts & Washers are supplied with Valve

AJ 2.50" - 6.00" Automatic Balancing Valve with Butterfly Valve

NuTech Model AF with Groove X Flange Adaptors



NOMINAL DIMENSIONS, WEIGHTS & FLOWS

MODEL	SIZE		A	B	C	D	E	F	G	WEIGHT		Max.No. Cartridges	Maximum gpm (lps) Control Range psi (kPa)		
	in	mm								lbs	kg		2-32 (14-221)	5-60 (34-414)	
AJ-250	2.50"	65	in	13.88	4.58	2.19	4.29	7.00	6.13	8.13	33.48	15.19	1	80	120
			mm	352.55	116.33	54.50	108.97	177.80	155.70	206.50				80	120
AJ-300	3.00"	80	in	16.79	5.26	2.75	5.38	7.50	6.13	8.38	43.43	19.70	1	135	170
			mm	426.47	133.60	69.72	136.65	190.50	155.70	212.85				135	170
AJ-400	4.00"	100	in	17.87	6.22	3.39	7.46	9.00	6.00	9.13	68.45	31.05	2	270	340
			mm	453.90	158.00	85.99	189.36	228.60	152.40	213.90				270	340
AJ-500	5.00"	125	in	18.77	6.61	3.45	7.04	10.00	5.00	9.63	81.30	36.88	3	405	510
			mm	476.76	167.90	87.50	178.69	254.00	127.00	244.60				405	510
AJ-600	6.00"	150	in	20.62	7.05	3.22	7.18	11.00	4.88	10.13	101.12	45.87	4	540	680
			mm	523.75	179.10	81.66	182.25	279.40	123.95	257.30				540	680

Nominal Dimensions & Weights shown above are not to be used for construction purposes unless first certified by the Factory.

ORDERING DESIGNATION

AJ - 250 - L - XX

MODEL
AJ-250 (Shown)

BODY SIZE
2.50" (Shown)

CONTROL RANGE
L = 2-32 PSID H = 5-60 PSID

ACCESSORIES
*Optional Accessories Designations

AVAILABLE OPTIONS

*Optional Accessories are an extra charge and not included in the standard model price.

Accessory Designations:

BA	Buy American Construction	BX	Boxing with Tag
BB#	Use Union End Ball Valve for Drain Valve - Specify Size:	CC	Connection Charge
	BB1 or BB2 with 0.50" MNPT Tailpiece	DV-050	Drain Valve (3.00" - 6.00")
		HT	Hanging Tag (Plastic)
		PX	Extended Pressure/ Temperature Vent