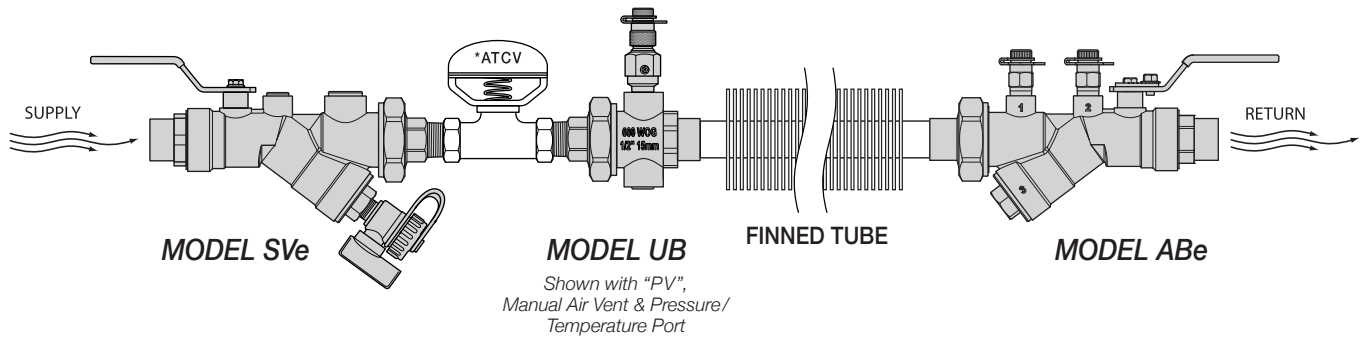


2-Way ATCV on Supply, 2.0" or smaller, Automatic Balanced, Strainer Supply, Components: SVe, UB & ABe

CONVECTIVE HEATING



* Actuated Temperature Control Valve (ATCV), pipe unions and fittings illustrated above are by others and not supplied.

MODEL SVe

SVe Combination Strainer Valve is a combination ball valve, wye strainer and union. The 20 mesh S/S strainer screen is removable for cleaning. Fixed End connection available in FNPT or SWT. Tailpiece connection available in MNPT, FNPT or SWT. Size reductions available. Standard features include Pressure/Temperature Port, Hose End Drain Valve and plugged Bypass Port.

MODEL ABe

ABe Automatic Balancing Valve is a combination ball valve, automatic flow control device and union. The removable flow cartridge limits GPM to within $\pm 5\%$ of specified flow. Fixed End connection available in FNPT or SWT. Tailpiece connection available in MNPT, FNPT or SWT. Size reductions available. Standard features include Adjustable Memory Stop and Dual Pressure/Temperature Ports.

MODEL UB

UB Union is an O-ring sealed union with two 0.25" plugged accessory ports. Fixed End Connections available in FNPT or SWT. Tailpiece Connections available in MNPT, FNPT or SWT. Size reductions available. *Shown with "PV" Combination Manual Air Vent and Pressure/Temperature Port.*

QUANTITY	SIZE	GPM	TAG