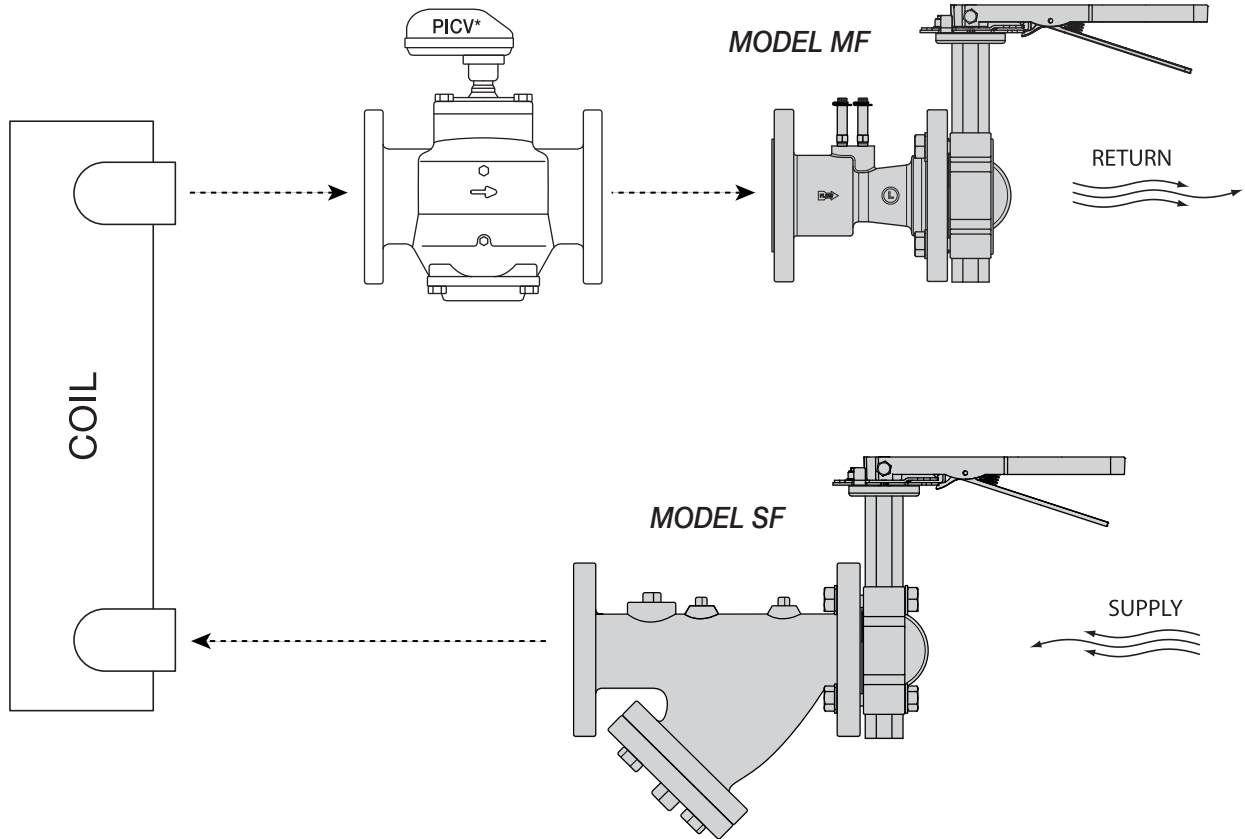


2-Way PICV on Return, 2.5" or larger, Manual Balanced, Strainer Supply with Lug Type Butterfly Valve, Components: MF & SF



\* Pressure Independent Control Valve (PICV) pipe and fittings illustrated above are by others and not supplied.

### MODEL MF

MF Manual Balancing Valve is a cast steel venturi flow element with accuracy of  $\pm 3\%$  of flow rate. Mounted on the discharge is a ductile iron lug type butterfly valve with adjustable flow positioning plate. ANSI 125/150 flanged end connections. Dual extended length Pressure / Temperature Ports. Hanging I.D. Tag.

### MODEL SF

SF Combination Strainer Valve is a "Y" (wye) strainer with removable stainless steel strainer screen, bolted cover with blow down connection and ANSI 125# Flanged End Connections. Mounted on the inlet is a ductile iron Lug Type Butterfly Valve. Strainer body features three threaded Accessory Ports.

QUANTITY	SIZE	GPM	TAG