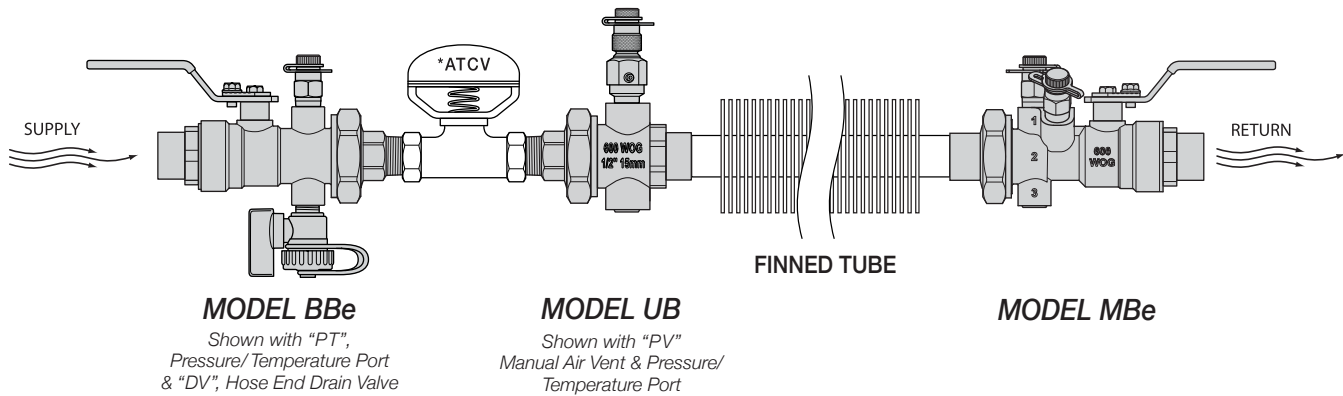


2-Way ATCV on Supply, 2.0" or smaller, Manual Balanced, Ball Valve Supply, Components: BBe, UB & MBe

Convective Heating



* Actuated Temperature Control Valve (ATCV), pipe unions and fittings illustrated above are by others and not supplied.

MODEL BBe

BBe Union End Ball Valve is a throttling and shut off valve. Fixed End connection available in FNPT or SWT. Tailpiece connection available in MNPT, FNPT and SWT. Size reductions available. Standard features include Adjustable Memory Stop and dual plugged accessory ports. Shown with "PT" Pressure/ Temperature Port and "DV" Hose End Drain Valve.

MODEL MBe

MBe Manual Balancing Valve is a venturi balancing and shut off valve. Accuracy $\pm 3\%$ of flow rate. Fixed End connection available in FNPT or SWT. Tailpiece connection available in MNPT, FNPT or SWT. Size reductions available. Standard features include Adjustable Memory Stop and Dual Pressure/ Temperature Ports.

MODEL UB

UB Union is an O-ring sealed union with two 0.25" plugged accessory ports. Fixed End Connections available in FNPT or SWT. Tailpiece Connections available in MNPT, FNPT or SWT. Size reductions available. Shown with "PV" Combination Manual Air Vent and Pressure/ Temperature Port.

QUANTITY	SIZE	GPM	TAG