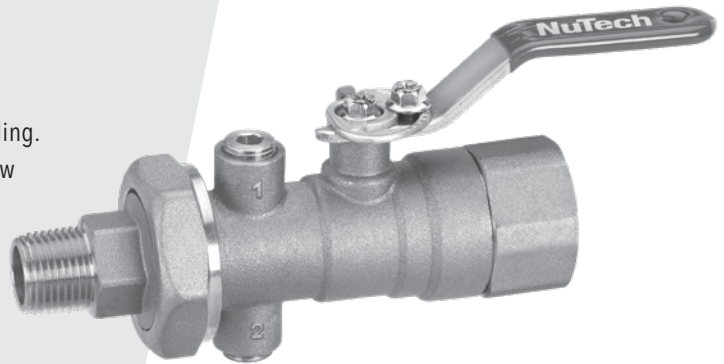


## BBe/BB Union End Ball Valve

NuTech's BBe & BB Union End Ball Valve offers shutoff and throttling. The position indicating Memory Stop provides quick and easy flow setting with a single screw adjustment. The Ball Valve has a chrome plated ball with Teflon seats, blowout proof stem with double EPDM O-ring seals. The Union has an EPDM O-ring seal and tailpiece available in SWT, FNPT, MNPT, \*Press End and \*Direct Connect Hose Assembly. Standard features include Adjustable Memory Stop and dual plugged Accessory Ports.

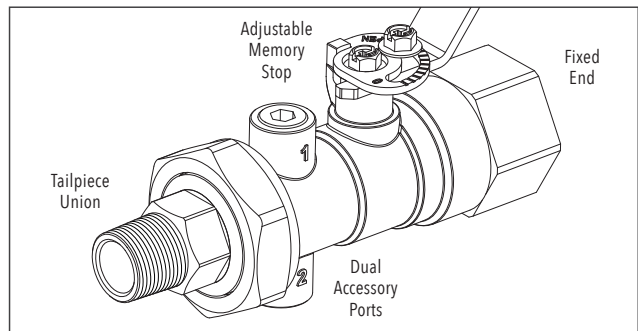


### PRODUCT INFORMATION

PART	MATERIALS
Body	Forged Brass
End Conn.	Brass Fixed End: SWT, FNPT & *Press End Union End: SWT, FNPT, MNPT, *Press End & *Direct Connect HA
Stem	Brass Optional 316 Stainless Steel
Ball	Chrome Plated Brass Optional 316 Stainless Steel
Seals	EPDM
Seats	Teflon
Handle	Zinc Plated Lever With Vinyl Grip
Memory Stop	Zinc Plated Steel

### SPECIFICATIONS

Function:	Union, shut off and throttling
Sizes:	0.50" - 2.00"
Ratings:	Pressures to 600 PSIG (4140 kPa) Temperatures to 250° F (120° C)

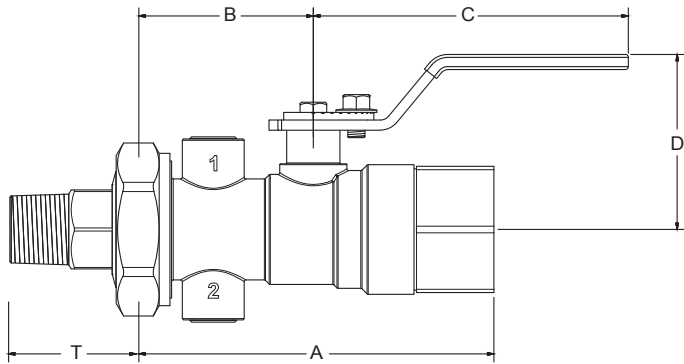


### CONNECTIONS

MODEL - SIZE	FIXED END SIZE	FIXED END TYPE	TAIL PIECE SIZE	TAIL PIECE TYPE
BB1e - 050	0.50" 15mm	S, F, P	0.50", 0.75", (1.00" requires optional UA-1 Kit)	S, F, M, P, H
BB1e - 075	0.75" 20mm	S, F, P	0.50", 0.75", (1.00" requires optional UA-1 Kit)	S, F, M, P, H
BB1e - 100	1.00" 25mm	S, F, P	0.50", 0.75", 1.00"	S, F, M, P, H
BB2e - 075	0.75" 20mm	S, F, P	0.50", 0.75", 1.00", (1.25" requires optional UA-2 Kit)	S, F, M, P, H
BB2e - 100	1.00" 25mm	S, F, P	0.50", 0.75", 1.00", (1.25" requires optional UA-2 Kit)	S, F, M, P, H
BB2e - 125	1.25" 32mm	S, F, P	0.50", 0.75", 1.00", 1.25"	S, F, M, P, H
BB3e - 125	1.25" 32mm	S, F, P	(0.50" M only), 0.75", 1.00", 1.25", 1.50"	S, F, M, P, H
BB3e - 150	1.50" 40mm	S, F, P	(0.50" M only), 0.75", 1.00", 1.25", 1.50"	S, F, M, P, H
BB4 - 200	2.00" 50mm	S, F, P	(1.00" M only), 1.25", 1.50", 2.00"	S, F, M, P, H

Connections: S = Sweat SWT, F = Female FNPT, M = Male MNPT, \*P = Press End, \*H = Direct Connect Hose Assembly \*Optional Accessories are an additional charge

## BBe/BB 0.50" - 2.00" Union End Ball Valve



### NOMINAL DIMENSIONS, WEIGHTS & FLOWS

MODEL	SIZE		A		B	C	D	* T MNPT	WEIGHT		
	in	mm	FNPT	SWT					lbs	gms	
BB1e-050	0.50	15	in	3.72	4.08	2.03	2.33	1.61	1.50	1.15	521.6
			mm	94.5	103.6	51.6	59.18	40.9	38.10		
BB1e-075	0.75	20	in	3.84	4.37	2.03	2.33	1.61	1.56	1.19	539.8
			mm	97.5	111.0	51.6	59.18	40.9	39.62		
BB1e-100	1.00	25	in	4.19	4.64	2.03	2.33	1.61	1.75	1.34	607.0
			mm	106.4	117.9	51.6	59.18	40.9	44.45		
BB2e-075	0.75	20	in	3.92	4.49	2.03	3.66	2.08	1.56	1.22	553.0
			mm	99.6	114.0	51.6	93.0	52.8	39.62		
BB2e-100	1.00	25	in	4.13	4.53	2.03	3.66	2.08	1.75	1.70	771.1
			mm	105.0	115.1	51.6	93.0	52.8	44.45		
BB2e-125	1.25	32	in	4.31	4.86	2.03	3.66	2.08	1.80	1.50	680.0
			mm	109.5	123.4	51.6	93.0	52.8	45.72		
BB3e-125	1.25	32	in	5.42	6.41	2.37	5.03	2.26	1.80	3.97	1800.7
			mm	137.7	162.8	60.3	127.8	57.5	45.7		
BB3e-150	1.50	40	in	5.42	6.67	2.37	5.03	2.26	1.80	4.12	1868.8
			mm	137.7	169.3	60.3	127.8	57.5	45.7		
BB4-200	2.00	50	in	5.03	5.82	2.90	5.66	2.83	1.92	5.68	2576.4
			mm	127.76	148.83	73.66	143.76	71.88	50.29		

Nominal Dimensions & Weights shown above are not to be used for construction purposes unless first certified by the Factory.

\*Refer to NuTech Replacement Tailpiece Chart RTC-1002-15

### ORDERING DESIGNATION

**BB2e - 100 - F - 050 - M - XX**

MODEL / BODY SIZE

BB1e, BB2e (Shown), BB3e & BB4

FIXED END CONNECTION SIZE

1.00" (Shown)

FIXED END CONNECTION TYPE

S = SWT, F = FNPT (Shown), \*P = Press End

ACCESSORIES

\*Optional Accessories Designations Below

TAILPIECE CONNECTION TYPE

S = SWT, F = FNPT, M = MNPT (Shown), \*P = Press End, \*H = Direct Connect HA

TAILPIECE CONNECTION SIZE

0.50" (Shown)

Fixed End & Tailpiece Connections: S = Sweat SWT, F = Female FNPT, M = Male MNPT \*Optional Connections: \*P = Press End, \*H = Direct Connect Hose Assembly

#### AVAILABLE OPTIONS Please note \*Optional Accessories are an extra charge and not included in the standard model price.

##### Accessory Designations:

AV Automatic Air Vent  
BA Buy American Const.  
BT Bag & Tag  
CC Connection Charge

DV Drain Valve  
EH Extended Handle  
EV Extended Manual Air Vent  
HT Hanging Tag (Plastic)  
MV Manual Air Vent

PT Pressure/Temperature Port  
PT/SX Single Extended Pressure/Temperature Port  
PV Pressure/Temperature Vent  
PX Extended Pressure/Temperature Vent  
SH Short Lever Handle (BB2e only)

SS 316 SS Ball & Stem  
UA-1 Union Adaptor Kit  
UA-2 Union Adaptor Kit