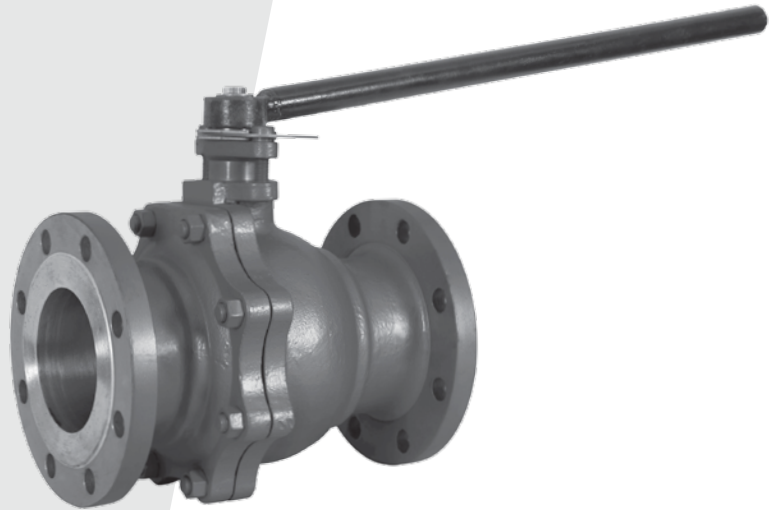


BP Cast Steel Ball Valve

NuTech's BP is a Cast Steel Ball Valve with ANSI Class 150# Flanged End Connections. Standard features include Stainless Steel Ball, Stem, PTFE seats and seals, Adjustable Flow Position Memory Stop and Hanging I.D. Tag.

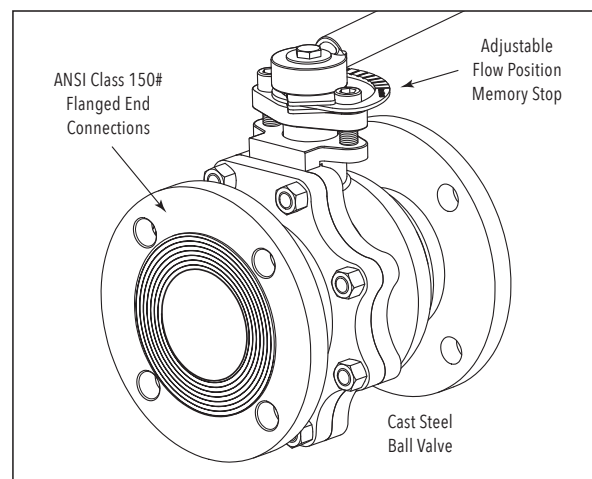


PRODUCT INFORMATION

PART	MATERIALS
Ball Valve Body	Cast Steel
Ball	304 Stainless Steel
Stem	304 Stainless Steel
Seat	PTFE
End Connections	ANSI Class 150# Flanged

SPECIFICATIONS

Function:	Shut Off Valve
Sizes:	2.50" - 6.00"
Ratings:	Pressures to 240 PSIG (1654 kPa) Temperatures to 250° F (120° C)

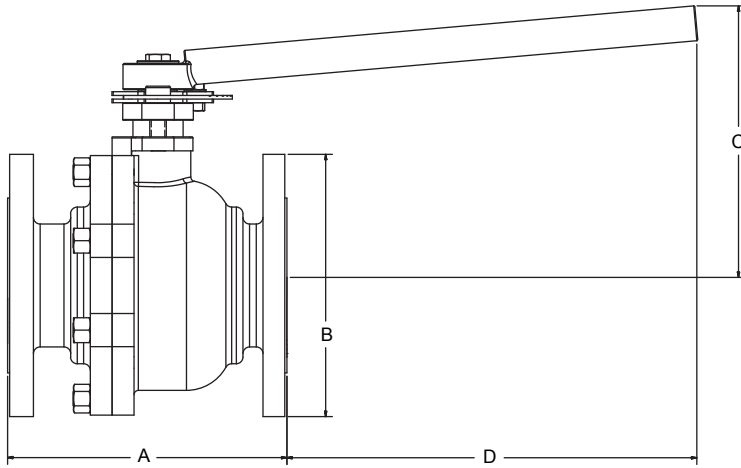


CONNECTIONS

MODEL	SIZE	INLET / OUTLET CONNECTION
BP - 250	2.50" 65 mm	ANSI Class 150# Flanged
BP - 300	3.00" 80 mm	ANSI Class 150# Flanged
BP - 400	4.00" 100 mm	ANSI Class 150# Flanged
BP - 500	5.00" 125 mm	ANSI Class 150# Flanged
BP - 600	6.00" 150 mm	ANSI Class 150# Flanged

*Optional Accessories are an extra charge and not included in the standard model price.

BP 2.50" - 6.00" Cast Steel Ball Valve



NOMINAL DIMENSIONS, WEIGHTS & FLOWS

MODEL	SIZE			A	B	C	D	WEIGHT	
	in	mm						lbs	kgm
BP-250	2.50"	65	in	7.48	7.00	6.10	6.50	29.5	13.4
			mm	190	180	155	165		
BP-300	3.00"	80	in	8.00	7.50	7.40	6.00	29.9	13.4
			mm	203	190	188	153		
BP-400	4.00"	100	in	9.00	9.00	8.10	7.80	63.5	28.8
			mm	229	229	206	198		
BP-500	5.00"	125	in	14.01	10.00	10.00	18.00	101	45.8
			mm	356	254	254	457		
BP-600	6.00"	150	in	15.51	11.00	11.00	17.50	142	64.4
			mm	394	280	280	445		

Nominal Dimensions & Weights shown above are not to be used for construction purposes unless first certified by the Factory.

ORDERING DESIGNATION

