

BV BV Butterfly Valves

NuTech's BV Butterfly Valves are Lug Type with a heavy duty one piece body, designed to be installed between all types of ANSI Class 125/150 flanges. Resilient EPDM Seat provides bubble tight shut off. Blowout proof stem with pinned disc. Universal mounting flange conforms to ISO-5211. The 2.50" through 6.00" sizes are supplied with an Adjustable Flow Positioning Plate. This unique design provides quick and easy setting of the valve flow position, requires less hardware, will not slip and allows the valve to be easily moved to the closed or full open position without disturbing the flow positioning set point. The 8.00" to 14.00" size Butterfly Valves feature a Gear Operator.

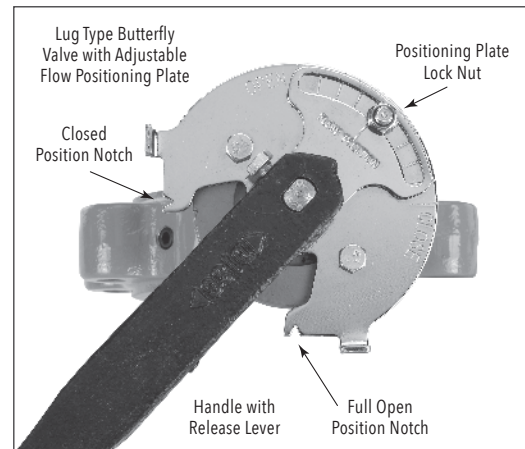


PRODUCT INFORMATION

PART	MATERIALS	
Body	Ductile Iron	ASTM A 536 65-45-12
Disc	Aluminum Bronze	ASTM B 148 C 95400
Shaft	Stainless Steel 416	ASTM A582
Seat	EPDM	
Bushing	Teflon	
Seal	EPDM	
Pin	Stainless Steel	

SPECIFICATIONS

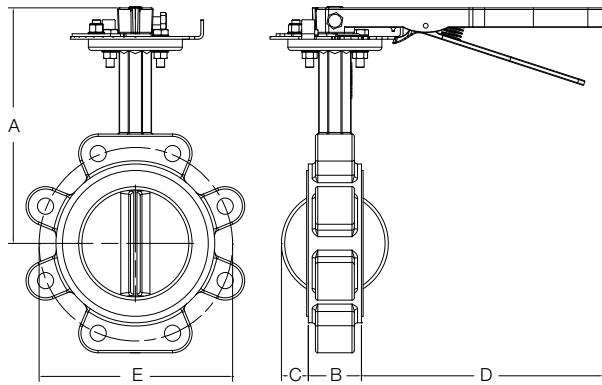
Function:	Shut Off Valve
Sizes:	2.50" - 14.00"
Ratings:	Pressures to 200 PSIG (13.89 BAR) Temperatures to 250° F (120° C)



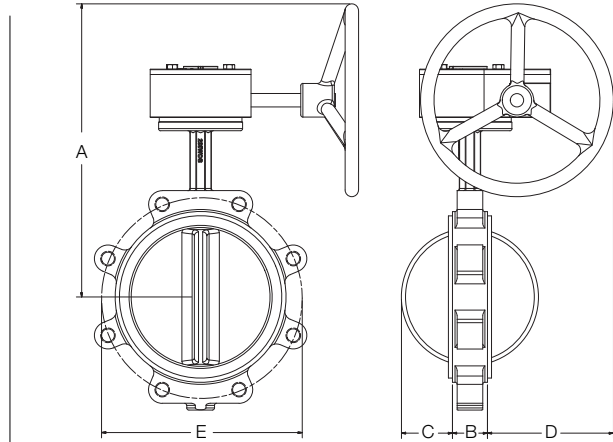
CONNECTIONS

MODEL	SIZE	INLET/OUTLET CONNECTION
BV - 250	2.50" 65 mm	Butterfly Valve
BV - 300	3.00" 80 mm	Butterfly Valve
BV - 400	4.00" 100 mm	Butterfly Valve
BV - 500	5.00" 125 mm	Butterfly Valve
BV - 600	6.00" 150 mm	Butterfly Valve
BV - 800	8.00" 200 mm	Butterfly Valve
BV - 1000	10.00" 250 mm	Butterfly Valve
BV - 1200	12.00" 300 mm	Butterfly Valve
BV - 1400	14.00" 350 mm	Butterfly Valve

BV 2.50" - 14.00" Butterfly Valves



2.50" - 6.00" Butterfly Valves



8.00" - 14.00" Butterfly Valves

NOMINAL DIMENSIONS & WEIGHTS

MODEL	SIZE	A		B		C		D		E		WEIGHT LBS.
		in	mm	in	mm	in	mm	in	mm	in	mm	
BV-250	2.5" 65mm	8.15	207	1.93	49.1	0.30	7.6	9.27	235.5	5.50	139.7	11
BV-300	3.0" 80mm	8.39	213	1.93	49.1	0.59	14.9	9.27	235.5	6.00	152.4	11.5
BV-400	4.0" 100mm	9.13	232	2.18	55.3	0.96	24.35	9.15	232.4	7.50	190.5	17.4
BV-500	5.0" 125mm	9.65	245	2.31	58.8	1.27	32.25	9.08	230.6	8.50	215.9	22.5
BV-600	6.0" 150mm	10.16	258	2.33	59.1	1.90	48.3	9.07	230.5	9.50	241.3	27.6
BV-800	8.0" 200mm	17.17	436	2.52	64.1	2.72	69.15	7.97	202.5	11.75	298.4	50.7
BV-1000	10.0" 250mm	18.43	468	2.83	71.8	3.52	89.3	7.97	202.5	14.25	361.9	75
BV-1200	12.0" 300mm	20.20	513	3.19	81.0	4.34	110.25	7.97	202.5	17.00	431.8	110.5
BV-1400	14.0" 350mm	21.42	544	3.13	79.5	5.00	126.9	8.64	219.5	18.75	476.2	128.3

Nominal Dimensions & Weights shown above are not to be used for construction purposes unless first certified by the Factory.

PERFORMANCE - Cv VALUES (GPM@1PSID) - DISC POSITION (DEGREES)

MODEL	SIZE	10°	20°	30°	40°	50°	60°	70°	80°	90°
BV-250	2.5" 65mm	0.2	8	20	37	65	98	144	204	220
BV-300	3.0" 80mm	0.3	12	22	39	70	116	183	275	302
BV-400	4.0" 100mm	0.5	17	36	78	139	230	364	546	600
BV-500	5.0" 125mm	0.8	29	61	133	237	392	620	930	1022
BV-600	6.0" 150mm	2	45	95	205	366	605	958	1437	1579
BV-800	8.0" 200mm	3	89	188	408	727	1202	1903	2854	3136
BV-1000	10.0" 250mm	4	151	320	694	1237	2047	3240	4859	5340
BV-1200	12.0" 300mm	5	234	495	1072	1911	3162	5005	7507	8250
BV-1400	14.0" 350mm	6	338	715	1549	2761	4568	7230	10844	11917

ORDERING DESIGNATION

BV - 600

MODEL
BV-600 (Shown)

BODY SIZE
6.00" (Shown)