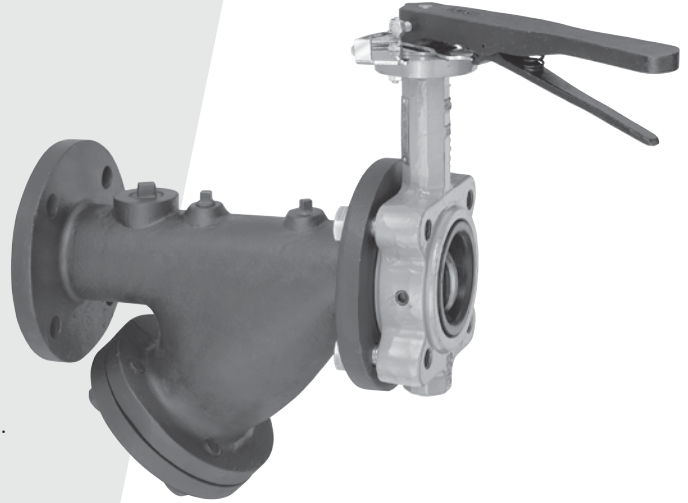


SF "Y" (WYE) Strainer With Butterfly Valve

NuTech's Model SF Strainer Valve is a "Y" (WYE) Strainer with a removable Stainless Steel Strainer Screen, bolted cover with blow down connection and ANSI Class 125# Flanged End Connections. Mounted on the Inlet is a ductile iron Lug Type Butterfly Valve with Adjustable Flow Positioning Plate and locking nut. Strainer body features four threaded plugged Accessory Ports and Hanging I.D. Tag.

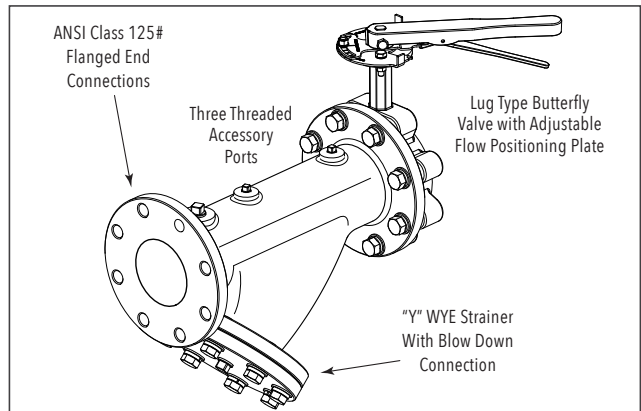


PRODUCT INFORMATION

PART	MATERIALS
Strainer Body	2.50" - 4.00" Ductile Iron 5.00" - 12.00" Cast Iron ASTM A 126 Class B
Screen	S/S Type 304, ASTM A 167
Screen Opening	2.50" - 6.00" 0.045 perf. 8.00" - 12.00" 0.125 perf.
Cover Gasket	Fiber
End Connections	ANSI Class 125# Flanged
Butterfly Valve	Ductile Iron ASTM A 536 65-45-12
Disc	Aluminium Bronze ASTM B 148 C 95400
Stem	Stainless Steel 416 ASTM A582
Seat	EPDM
Bushing	Teflon Fiberglass Backed
Seal	EPDM

SPECIFICATIONS

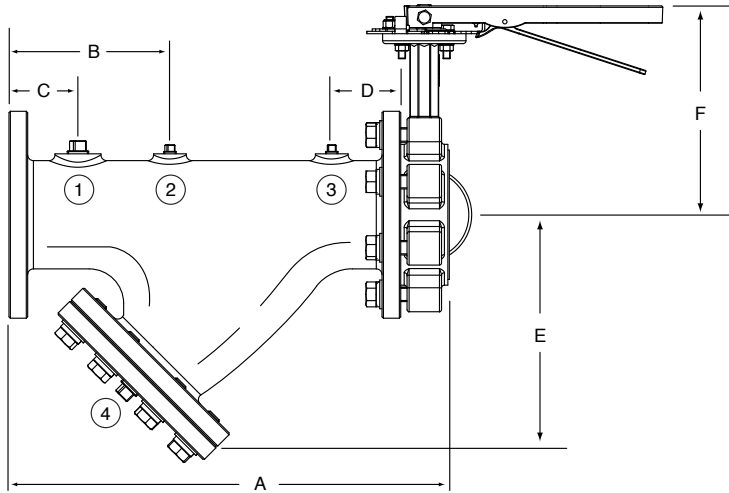
Function:	WYE Strainer and shut off
Sizes:	2.50" - 12.00"
Ratings:	Pressures to 175 PSIG (2775 kPa) Temperatures to 250° F (120° C)



CONNECTIONS

MODEL	SIZE	INLET CONNECTION	OUTLET CONNECTION
SF - 250	2.50" 65 mm	Butterfly Valve	ANSI Class 125# Flanged
SF - 300	3.00" 80 mm	Butterfly Valve	ANSI Class 125# Flanged
SF - 400	4.00" 100 mm	Butterfly Valve	ANSI Class 125# Flanged
SF - 500	5.00" 125 mm	Butterfly Valve	ANSI Class 125# Flanged
SF - 600	6.00" 150 mm	Butterfly Valve	ANSI Class 125# Flanged
SF - 800	8.00" 200 mm	Butterfly Valve	ANSI Class 125# Flanged
SF - 1000	10.00" 250 mm	Butterfly Valve	ANSI Class 125# Flanged
SF - 1200	12.00" 300 mm	Butterfly Valve	ANSI Class 125# Flanged

SF 2.50" - 12.00" "Y" (WYE) Strainer With Butterfly Valve



NOMINAL DIMENSIONS, WEIGHTS & FLOWS

MODEL	SIZE			A	B	C	D	E	F	1	2	3	4	Wgt lbs
	in	mm								NPT	NPT	NPT	NPT	
SF-250	2.50"	65	in	12.93	5.00	3.00	3.00	7.60	8.15	0.75"	0.25"	0.25"	1.0"	49.0
			mm	328.42	127.00	76.20	76.20	193.00	207.00					
SF-300	3.00"	80	in	14.00	6.00	3.00	3.00	8.30	8.39	0.75"	0.25"	0.25"	1.0"	58.0
			mm	355.59	152.40	76.20	76.20	210.80	213.00					
SF-400	4.00"	100	in	16.32	7.00	3.00	3.00	10.10	9.13	0.75"	0.25"	0.25"	1.25"	91.0
			mm	414.52	177.80	76.20	76.20	256.50	232.00					
SF-500	5.00"	125	in	20.25	9.00	3.50	3.50	11.90	9.65	0.75"	0.25"	0.25"	1.25"	145.0
			mm	514.35	228.60	88.90	88.90	302.30	245.00					
SF-600	6.00"	150	in	22.69	10.00	4.00	4.00	17.40	10.16	0.75"	0.25"	0.25"	1.50"	179.0
			mm	576.33	254.00	101.60	101.60	442.00	258.00					
SF-800	8.00"	200	in	26.39	12.00	4.00	4.00	17.40	13.50	0.75"	0.25"	0.25"	1.50"	328.0
			mm	670.31	304.80	101.60	101.60	441.96	343.00					
SF-1000	10.00"	250	in	32.08	15.00	5.00	5.00	20.88	14.75	0.75"	0.25"	0.25"	2.0"	530.0
			mm	814.83	381.00	127.00	127.00	530.35	375.00					
SF-1200	12.00"	300	in	36.78	17.00	5.00	5.00	23.31	16.50	0.75"	0.25"	0.25"	2.0"	714.0
			mm	934.21	431.80	127.00	127.00	592.00	419.00					

Nominal Dimensions & Weights shown above are not to be used for construction purposes unless first certified by the Factory.

ORDERING DESIGNATION

SF - 500 - F - XX

MODEL

SF-500 (Shown)

STRAINER BODY SIZE

5.00" (Shown)

ACCESSORIES

*Optional Accessories Designations Below

OUTLET END CONNECTION

F = Flanged

AVAILABLE OPTIONS Please note *Optional Accessories are an extra charge and not included in the standard model price.

Accessory Designations:

BA Buy American Construction

BB# Use Union End Ball Valve for

Drain Valve - Specify Size:
BB2, BB3 or BB4

BT Bag & Tag

CC Connection Charge

EV Extended Manual Air Vent

DV-050 Drain Valve (3.00" - 6.00")

HT Hanging Tag (Plastic)

PX Extended Pressure/Temperature Vent

PT/SX Single Extended Pressure/Temperature Port