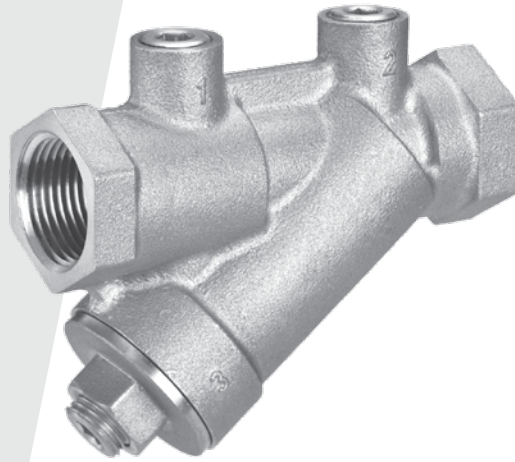


SL Low-Lead Strainer

NuTech's Model SL is a Low-Lead WYE Strainer with a 20 mesh stainless steel strainer which is removable for cleaning and inspection. Standard features include dual 0.25" plugged accessory ports and FNPT end connections. Strainer conforms to NSF/ANSI 372.



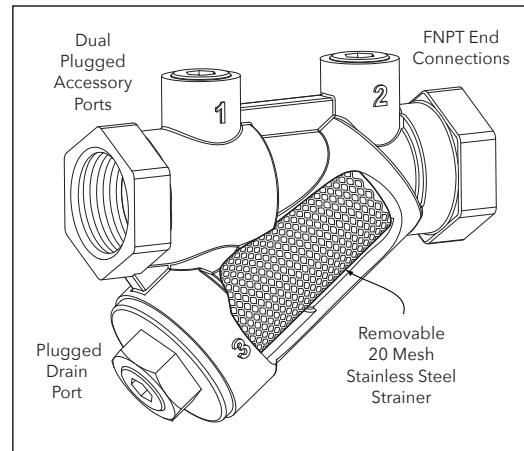
PRODUCT INFORMATION

PART	MATERIALS
Body, Cap & Acc. Port Plugs	Naval Brass, C46500 Low-Lead*
End Conn.	FNPT Inlet and Outlet
Strainer	20 Mesh Stainless Steel
Seals	EPDM

* Maximum lead content of .25% by weight.

SPECIFICATIONS

Function:	WYE Strainer
Sizes:	0.50" - 1.25"
Ratings:	Pressures to 400 PSIG (2758 kPa) Temperatures to 250° F (120° C)

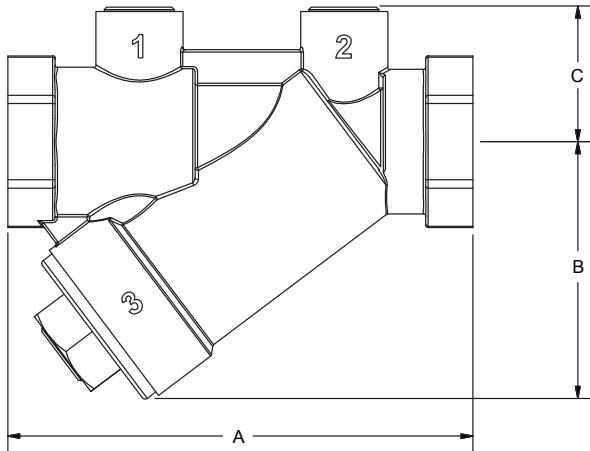


CONNECTIONS

MODEL - SIZE	INLET SIZE	OUTLET SIZE	CONNECTION END TYPE
SL2 - 050F	0.50" 15mm	0.50" 15mm	F, P
SL2 - 075F	0.75" 20mm	0.75" 20mm	F, P
SL2 - 100F	1.00" 25mm	1.00" 25mm	F, P
SL3 - 125F	1.25" 32mm	1.25" 32mm	F, P

Connections: F = Female FNPT, *P = Press End, *Optional Accessories are an additional charge

SL 0.50" - 1.25" Low-Lead Strainer Valve

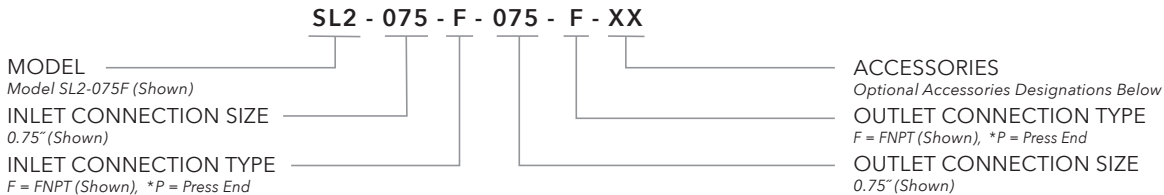


NOMINAL DIMENSIONS, WEIGHTS & FLOWS

MODEL	SIZE			A	B	C	WEIGHT	
	in	mm					lbs	kg
SL2-050F	0.50	15	in	3.70	2.15	1.11	1.03	0.47
			mm	94.10	54.60	28.20		
SL2-075F	0.75	20	in	3.84	2.15	1.11	1.05	0.48
			mm	97.50	54.60	28.20		
SL2-100F	1.00	25	in	4.23	2.15	1.11	1.20	0.54
			mm	107.40	54.60	28.20		
SL3-125F	1.25	32	in	5.31	3.00	1.36	2.70	1.22
			mm	135.00	76.35	34.60		

Nominal Dimensions & Weights shown above are not to be used for construction purposes unless first certified by the Factory.

ORDERING DESIGNATION



Inlet & Outlet Connection: F = Female FNPT, *Optional Connection: *P = Press End

AVAILABLE OPTIONS Please note *Optional Accessories are an extra charge and not included in the standard model price.

Accessory Designations:	BT Bag & Tag	PL Low-Lead Pressure/Temperature Port
	CC Connection Charge	*PT Pressure/Temperature Port
	*DV Drain Valve	*PV Pressure/Temperature Vent
	*DX Dual PT/PL Extenders	*PX Extended Pressure/Temperature Vent
	HT Hanging Tag (Plastic)	*SC 40 Mesh S/S Strainer Screen
	*MV Manual Air Vent	*SX Single PT/PL Port Extender

* = Non Low-Lead Optional Accessories