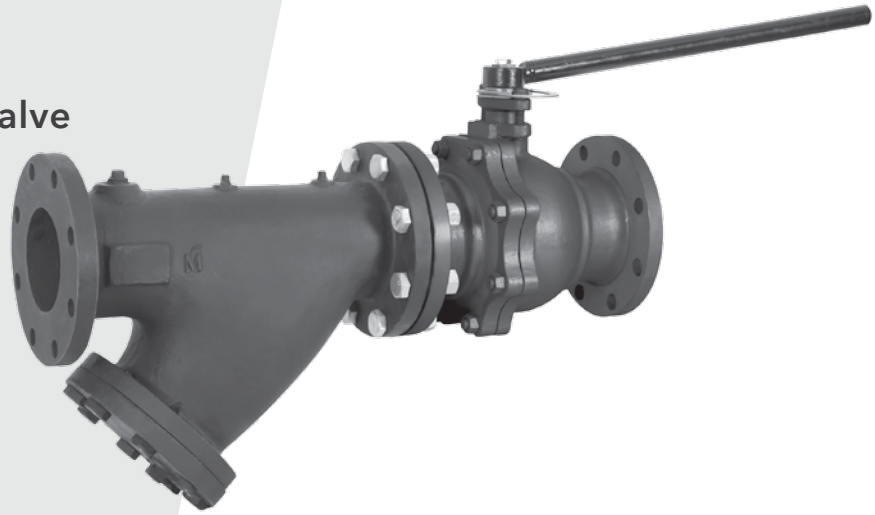


SP "Y" (WYE) Strainer With Ball Valve

NuTech's SP Combination Strainer Valve is a "Y" (WYE) Strainer with removable Stainless Steel Strainer Screen, bolted cover with blow down connection and ANSI Class 125# Flanged End Connections. Mounted on the Inlet is a Cast Steel Ball Valve with ANSI Class 150# Flanged End Connections. Strainer body features four threaded plugged Accessory Ports and Hanging I.D. Tag.

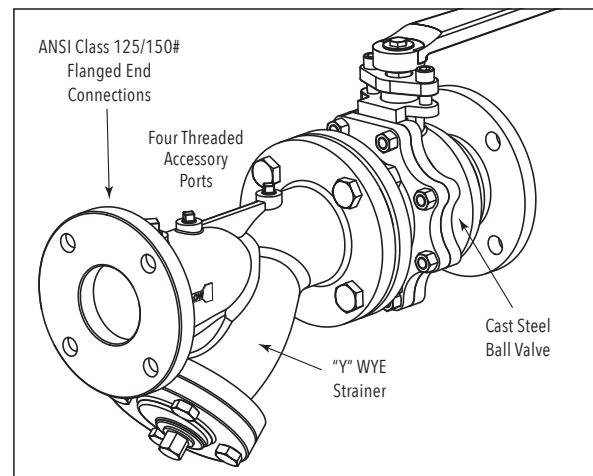


PRODUCT INFORMATION

PART	MATERIALS	
Strainer Body	2.50" - 4.00"	Ductile Iron
	5.00" - 6.00"	Cast Iron ASTM A 126 Class B
Screen	S/S Type 304, ASTM A 167	
Screen Opening	2.50" - 4.00"	0.045 perf.
	5.00" - 6.00"	0.125 perf.
Cover Gasket	O-ring (2.50" - 4.00")	
	Fiber (5.00" - 6.00")	
End Connections	ANSI Class 125/150# Flanged	
Butterfly Valve	Ductile Iron	ASTM A 536 65-45-12
Ball Valve Body	Cast Steel	
Ball	304 Stainless Steel	
Stem	304 Stainless Steel	
Seat	Teflon	

SPECIFICATIONS

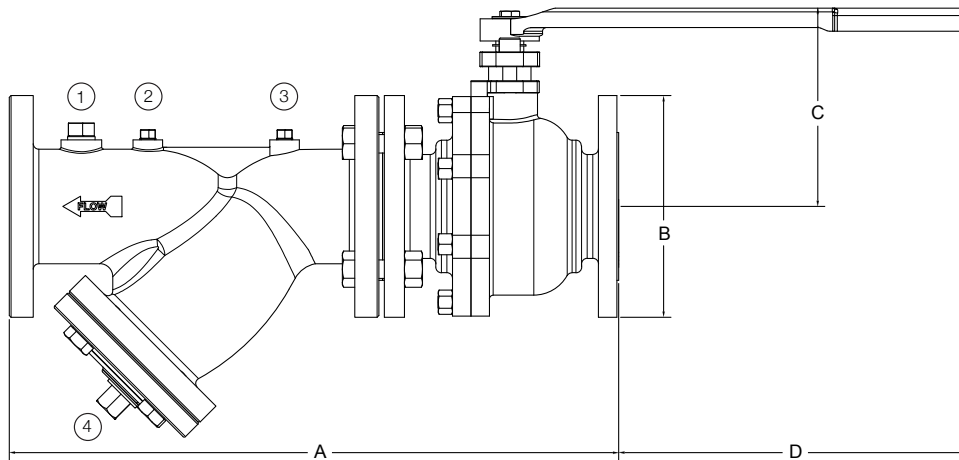
Function:	WYE Strainer and shut off
Sizes:	2.50" - 6.00"
Ratings:	Pressures to 175 PSIG (2775 kPa) Temperatures to 250° F (120° C)



CONNECTIONS

MODEL	SIZE	INLET CONNECTION	OUTLET CONNECTION
SP - 250	2.50" 65 mm	ANSI Class 150# Flanged	ANSI Class 125# Flanged
SP - 300	3.00" 80 mm	ANSI Class 150# Flanged	ANSI Class 125# Flanged
SP - 400	4.00" 100 mm	ANSI Class 150# Flanged	ANSI Class 125# Flanged
SP - 500	5.00" 125 mm	ANSI Class 150# Flanged	ANSI Class 125# Flanged
SP - 600	6.00" 150 mm	ANSI Class 150# Flanged	ANSI Class 125# Flanged

SP 2.50" - 6.00" "Y" (WYE) Strainer With Ball Valve

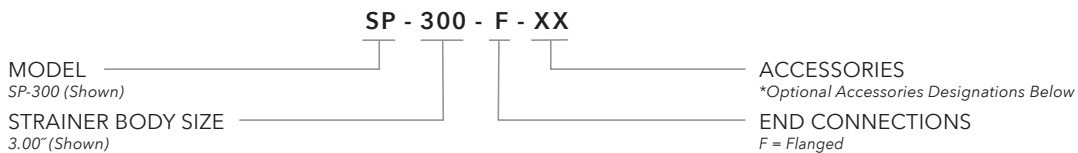


NOMINAL DIMENSIONS, WEIGHTS & FLOWS

MODEL	SIZE			A	B	C	D	1	2	3	4	WEIGHT	
	in	mm						NPT	NPT	NPT	NPT	lbs	kgm
SP-250	2.50"	65	in	18.70	7.00	6.10	6.50	0.75"	0.25"	0.25"	1.00"	61.6	28.0
			mm	475	180	155	165						
SP-300	3.00"	80	in	20.48	7.50	7.40	6.00	0.75"	0.25"	0.25"	1.00"	69.4	31.5
			mm	520.4	190	188	153						
SP-400	4.00"	100	in	24.00	9.00	8.10	7.80	0.75"	0.25"	0.25"	1.25"	133.2	60.4
			mm	610	230	206	198						
SP-500	5.00"	127	in	32.08	10.00	10.00	17.00	0.75"	0.25"	0.25"	1.25"	194	88.0
			mm	814.8	254	254	432						
SP-600	6.00"	152	in	36.00	11.00	11.00	17.50	0.75"	0.25"	0.25"	1.50"	268	121.6
			mm	915	279	279	445						

Nominal Dimensions & Weights shown above are not to be used for construction purposes unless first certified by the Factory.

ORDERING DESIGNATION



AVAILABLE OPTIONS Please note **Optional Accessories are an extra charge and not included in the standard model price.*

Accessory Designations:		BX	Boxing with Tag	HT	Hanging Tag (Plastic)
BA	Buy American Construction	CC	Connection Charge	PX	Extended Pressure/Temperature Vent
BB#	Use Union End Ball Valve for Drain Valve - Specify Size: BB2, BB3 or BB4	EV	Extended Manual Air Vent	PT/SX	Single Extended Pressure/Temperature Port
		DV-050	Drain Valve (3.00" - 6.00")		