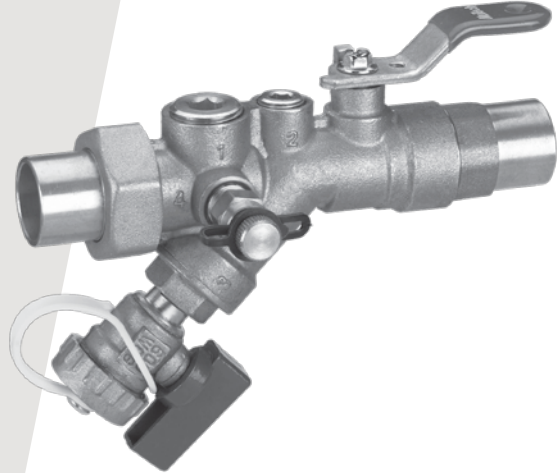


## SVe/SV Combination Strainer Valve

NuTech's SVe & SV Combination Strainer Valve is a combination Ball Valve, Wye Strainer and Union. The 20 mesh stainless steel strainer is removable for cleaning and inspection. The Ball Valve has a chrome plated ball with Teflon seats, blowout proof stem with double EPDM O-ring seals. The Union has an EPDM O-ring seal and tailpiece available in SWT, FNPT, MNPT, \*Press End and \*Direct Connect Hose Assembly. Standard features include Pressure/Temperature Port, Hose End Drain Valve and plugged Bypass and Accessory ports.



### PRODUCT INFORMATION

PART	MATERIALS
Body	Forged Brass
End Conn.	Brass Fixed End: SWT, FNPT & *Press End Union End: SWT, FNPT, MNPT, *Press End & *Direct Connect HA
Stem	Brass Optional 316 Stainless Steel
Ball	Chrome Plated Brass Optional 316 Stainless Steel
Seals	EPDM
Seats	Teflon
Handle	Zinc Plated Lever With Vinyl Grip

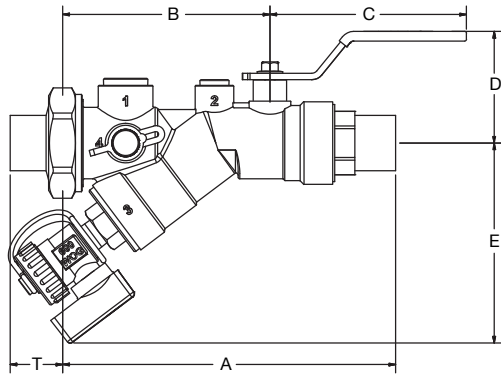
### SPECIFICATIONS

Function:	Strainer Valve, Union and shut off
Sizes:	0.50" - 2.00"
Ratings:	Pressures to 600 PSIG (4140 kPa) Temperatures to 250° F (120° C)

### CONNECTIONS

MODEL - SIZE	FIXED END SIZE	FIXED END TYPE	TAIL PIECE SIZE	TAIL PIECE TYPE
SV1e - 050	0.50" 15mm	S, F, P	0.50", 0.75", (1.00" requires optional UA-1 Kit)	S, F, M, P, H
SV1e - 075	0.75" 20mm	S, F, P	0.50", 0.75", (1.00" requires optional UA-1 Kit)	S, F, M, P, H
SV1e - 100	1.00" 25mm	S, F, P	0.50", 0.75", 1.00"	S, F, M, P, H
SV2e - 050	0.50" 15mm	S, F, P	0.50", 0.75", 1.00", (1.25" requires optional UA-2 Kit)	S, F, M, P, H
SV2e - 075	0.75" 20mm	S, F, P	0.50", 0.75", 1.00", (1.25" requires optional UA-2 Kit)	S, F, M, P, H
SV2e - 100	1.00" 25mm	S, F, P	0.50", 0.75", 1.00", (1.25" requires optional UA-2 Kit)	S, F, M, P, H
SV2e - 125	1.25" 32mm	S, F, P	0.50", 0.75", 1.00", 1.25"	S, F, M, P, H
SV3e - 100	1.00" 25mm	S, F, P	(0.50" M only), 0.75", 1.00", 1.25", 1.50"	S, F, M, P, H
SV3e - 125	1.25" 32mm	S, F, P	(0.50" M only), 0.75", 1.00", 1.25", 1.50"	S, F, M, P, H
SV3e - 150	1.50" 40mm	S, F, P	(0.50" M only), 0.75", 1.00", 1.25", 1.50"	S, F, M, P, H
SV4 - 150	1.50" 40mm	S, F, P	(1.00" M only), 1.25", 1.50", 2.00"	S, F, M, P, H
SV4 - 200	2.00" 50mm	S, F, P	(1.00" M only), 1.25", 1.50", 2.00"	S, F, M, P, H

Connections: S = Sweat SWT, F = Female FNPT, M = Male MNPT, \*P = Press End, \*H = Direct Connect Hose Assembly \*Optional Accessories are an additional charge



## SVe/SV 0.50" - 2.00" Combination Strainer Valve

### NOMINAL DIMENSIONS, WEIGHTS & FLOWS

MODEL	SIZE		A		B	C	D	E	*T SWT	Bypass Port-In	Wgt. lbs	
	in	mm	FNPT	SWT								
SV1e-050	0.50	15	in	4.74	4.88	2.99	2.33	1.73	3.53	0.83	.50	1.90
			mm	120.60	124.05							
SV1e-075	0.75	20	in	4.77	5.22	2.99	2.33	1.73	3.53	0.98	.50	2.67
			mm	121.36	132.66							
SV1e-100	1.00	25	in	4.91	5.60	2.99	2.33	1.73	3.53	0.98	.50	2.02
			mm	124.79	142.27							
SV2e-050	0.50	15	in	5.71	5.95	3.86	3.66	2.08	3.72	0.92	.50	2.57
			mm	145.24	151.33							
SV2e-075	0.75	20	in	5.75	6.20	3.86	3.66	2.08	3.72	1.43	.50	2.61
			mm	146.10	157.56							
SV2e-100	1.00	25	in	5.96	6.36	3.86	3.66	2.08	3.72	1.17	.50	2.69
			mm	151.59	161.62							
SV2e-125	1.25	32	in	6.14	6.69	3.86	3.66	2.08	3.72	1.50	.50	2.92
			mm	156.03	170.00							
SV3e-100	1.00	25	in	8.60	9.44	5.62	5.03	2.26	4.78	1.41	.75	4.54
			mm	218.4	239.8							
SV3e-125	1.25	32	in	8.67	9.66	5.62	5.03	2.26	4.78	1.43	.75	4.54
			mm	220.1	245.3							
SV3e-150	1.50	40	in	8.67	9.91	5.62	5.03	2.26	4.78	1.17	.75	4.44
			mm	220.1	251.7							
SV4-150	1.50	40	in	9.37	9.91	7.44	5.66	2.83	5.31	1.59	1.25	8.72
			mm	238.0	251.71							
SV4-200	2.00	50	in	9.56	10.35	7.44	5.66	2.83	5.31	1.50	1.25	9.42
			mm	232.16	262.89							

Nominal Dimensions & Weights shown above are not to be used for construction purposes unless first certified by the Factory.

\*Refer to NuTech Replacement Tailpiece Chart RTC-1002-15

### ORDERING DESIGNATION

**SV2e - 075 - S - 050 - S - XX**

MODEL / BODY SIZE

SV1e, SV2e (Shown), SV3e & SV4

FIXED END CONNECTION SIZE

0.75" (Shown)

FIXED END CONNECTION TYPE

S = SWT (Shown), F = FNPT, \*P = Press End

ACCESSORIES

\*Optional Accessories Designations Below

TAILPIECE CONNECTION TYPE

S = SWT (Shown), F = FNPT, M = MNPT, \*P = Press End, \*H = Direct Connect HA

TAILPIECE CONNECTION SIZE

0.50" (Shown)

Fixed End & Tailpiece Connections: S = Sweat SWT, F = Female FNPT, M = Male MNPT \*Optional Connections: \*P = Press End, \*H = Direct Connect Hose Assembly

### AVAILABLE OPTIONS Please note \*Optional Accessories are an extra charge and not included in the standard model price.

Accessory Designations:

AV Automatic Air Vent  
BA Buy American Const.  
BT Bag & Tag  
CC Connection Charge

DX Dual PT Port Extenders  
EH Extended Handle  
EV Extended Manual Air Vent  
HT Hanging Tag (Plastic)  
MV Manual Air Vent

PT Pressure/Temperature Port  
PT/SX Single Extended Pressure/Temperature Port  
PV Pressure/Temperature Vent  
PX Extended Pressure/Temperature Vent  
SH Short Lever Handle (SV2e only)

SS 316 SS Ball & Stem  
SC 40 Mesh SS Strainer Screen  
UA-1 Union Adaptor Kit  
UA-2 Union Adaptor Kit