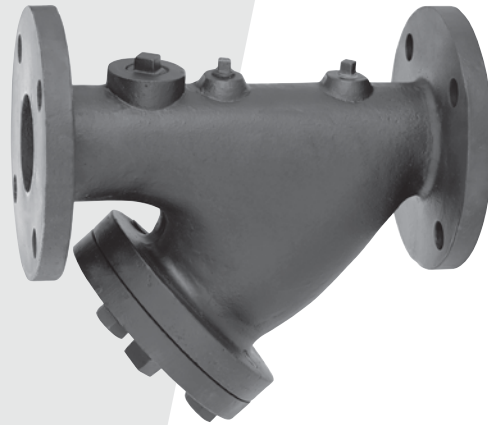


SW "Y" (WYE) Strainer

NuTech's Model SW Strainer Valve is a "Y" (WYE) Strainer with a removable Stainless Steel Strainer Screen, bolted cover with blow down connection and ANSI Class 125# Flanged End Connections. Strainer body features four threaded plugged Accessory Ports and Hanging I.D. Tag.

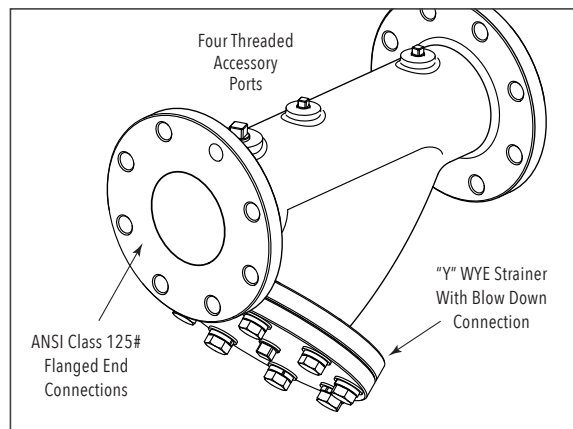


PRODUCT INFORMATION

PART	MATERIALS
Strainer Body	2.50" - 4.00" Ductile Iron 5.00" - 12.00" Cast Iron ASTM A 126 Class B
Screen	S/S Type 304, ASTM A 167
Screen Opening	2.50" - 6.00" 0.045 perf. 8.00" - 12.00" 0.125 perf.
Cover Gasket	Fiber
End Connections	ANSI Class 125# Flanged

SPECIFICATIONS

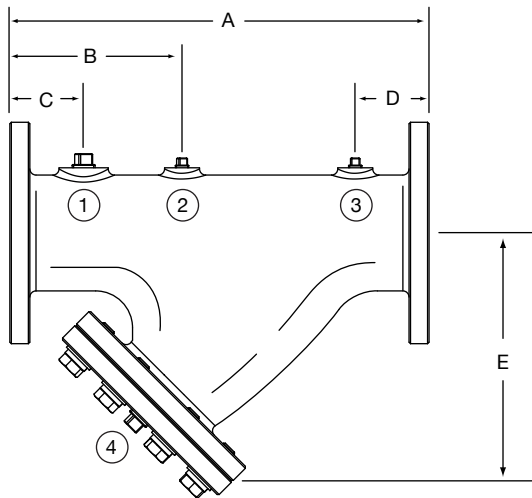
Function:	WYE Strainer
Sizes:	2.50" - 12.00"
Ratings:	Pressures to 175 PSIG (2775 kPa) Temperatures to 250° F (120° C)



CONNECTIONS

MODEL	SIZE	INLET/OUTLET CONNECTION
SW - 250	2.50" 65 mm	ANSI Class 125# Flanged
SW - 300	3.00" 80 mm	ANSI Class 125# Flanged
SW - 400	4.00" 100 mm	ANSI Class 125# Flanged
SW - 500	5.00" 125 mm	ANSI Class 125# Flanged
SW - 600	6.00" 150 mm	ANSI Class 125# Flanged
SW - 800	8.00" 200 mm	ANSI Class 125# Flanged
SW - 1000	10.00" 250 mm	ANSI Class 125# Flanged
SW - 1200	12.00" 300 mm	ANSI Class 125# Flanged

SW 2.50" - 12.00" "Y" (WYE) Strainer

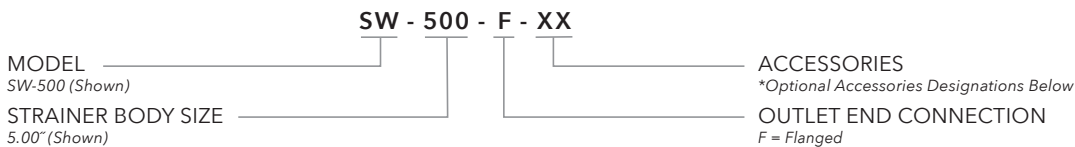


NOMINAL DIMENSIONS, WEIGHTS & FLOWS

MODEL	SIZE			A	B	C	D	E	1	2	3	4	Wgt lbs
	in	mm							NPT	NPT	NPT	NPT	
SW-250	2.50"	65	in	11.25	5.00	3.00	3.00	7.60	0.75"	0.25"	0.25"	1.0"	36.0
			mm	285.75	127.00	76.20	76.20	193.00					
SW-300	3.00"	80	in	12.50	6.00	3.00	3.00	8.30	0.75"	0.25"	0.25"	1.0"	44.0
			mm	317.50	152.40	76.20	76.20	210.80					
SW-400	4.00"	100	in	14.87	7.00	3.00	3.00	10.10	0.75"	0.25"	0.25"	1.25"	68.0
			mm	377.79	177.80	76.20	76.20	256.50					
SW-500	5.00"	125	in	17.94	9.00	3.50	3.50	11.90	0.75"	0.25"	0.25"	1.25"	117.0
			mm	455.60	228.60	88.90	88.90	302.30					
SW-600	6.00"	150	in	20.37	10.00	4.00	4.00	17.40	0.75"	0.25"	0.25"	1.50"	147.0
			mm	517.50	254.00	101.60	101.60	442.00					
SW-800	8.00"	200	in	24.00	12.00	4.00	4.00	17.40	0.75"	0.25"	0.25"	1.50"	246.0
			mm	609.60	304.80	101.60	101.60	441.96					
SW-1000	10.00"	250	in	29.50	15.00	5.00	5.00	20.88	0.75"	0.25"	0.25"	2.0"	425.0
			mm	749.30	367.50	127.00	127.00	530.35					
SW-1200	12.00"	300	in	33.75	17.00	5.00	5.00	23.31	0.75"	0.25"	0.25"	2.0"	568.0
			mm	857.25	431.80	127.00	127.00	592.00					

Nominal Dimensions & Weights shown above are not to be used for construction purposes unless first certified by the Factory.

ORDERING DESIGNATION



AVAILABLE OPTIONS Please note *Optional Accessories are an extra charge and not included in the standard model price.

Accessory Designations:	Bx	Boxing with Tag	HT	Hanging Tag (Plastic)
BA	CC	Connection Charge	PX	Extended Pressure/Temperature Vent
BB#	EV	Extended Manual Air Vent	PT/SX	Single Extended Pressure/Temperature Port
Use Union End Ball Valve for Drain Valve - Specify Size: BB2, BB3 or BB4	DV-050	Drain Valve (3.00" - 6.00")		