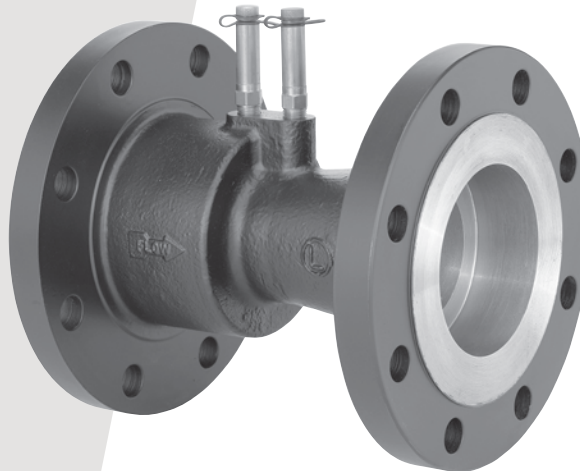


## VF

### 2.50" - 6.00" Venturi Flowmeter

NuTech's VF Venturi Flowmeter features a Carbon Steel Venturi Flow Element with precision machined throat which provides measurement accuracy of  $\pm 3\%$  of flow rate and ANSI Class 150# Flanged End Connections. Standard features include Dual Extended Length Pressure/Temperature Ports and Hanging I.D. Tag.

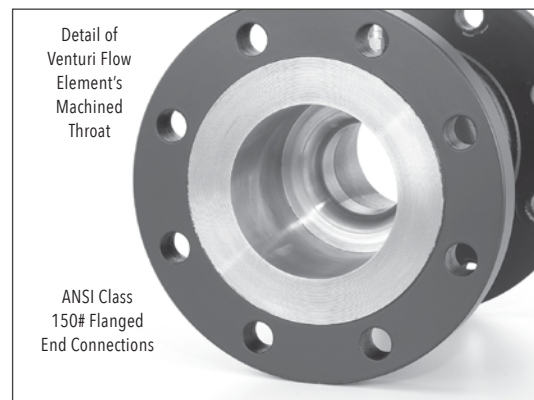


#### PRODUCT INFORMATION

PART	MATERIALS
Venturi	ASTM A-216 Grade WCB
End Connections	ANSI Class 150# Flanged Optional ANSI Class 300# Flanged
Metering Ports	Extended Length Pressure/Temperature Ports

#### SPECIFICATIONS

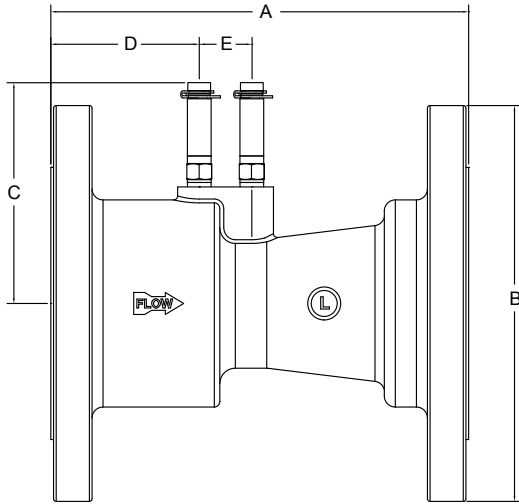
Function:	Venturi Flowmeter
Sizes:	2.50" - 6.00"
Ratings:	Pressures to 240 PSIG (1654 kPa) Temperatures to 250° F (120° C)
Accuracy:	$\pm 3\%$ of flow rate



#### CONNECTIONS

MODEL	SIZE	INLET/OUTLET CONNECTIONS
VF - 250L	2.50" 65 mm	ANSI Class 150# Flanged
VF - 300L	3.00" 80 mm	ANSI Class 150# Flanged
VF - 400L	4.00" 100 mm	ANSI Class 150# Flanged
VF - 500L	5.00" 125 mm	ANSI Class 150# Flanged
VF - 600L	6.00" 150 mm	ANSI Class 150# Flanged

## VF 2.50" - 6.00" Venturi Flowmeter



### NOMINAL DIMENSIONS & WEIGHTS

MODEL	SIZE			A	B	C	D	E	Wgt	
	in	mm							lbs	kg
VF-250L	2.50"	65	in	7	7	4.2	3.12	.74	20	9.07
			mm	177.80	177.8	106.68	79.24	18.79		
VF-300L	3.00"	80	in	8	7.5	4.54	3.38	.88	25	11.33
			mm	203.20	190.5	115.31	85.85	22.35		
VF-400L	4.00"	100	in	9.5	9	5.02	3.38	1.19	36	16.32
			mm	241.30	228.6	127.50	85.85	30.22		
VF-500L	5.00"	125	in	11	10	5.53	3.88	1.31	45	20.41
			mm	279.40	254	140.46	98.55	33.27		
VF-600L	6.00"	150	in	12.5	11	6.04	3.88	1.60	55	24.94
			mm	317.50	279.4	153.41	98.55	40.64		

Nominal Dimensions & Weights shown above are not to be used for construction purposes unless first certified by the Factory.

### ORDERING DESIGNATION

**VF - 400 - L - XX**

MODEL

VF-400L (Shown)

FLOWMETER SIZE

4.00" (Shown)

CONTROL RANGE

L = Low

ACCESSORIES

\*Optional Accessories Designations Below

**AVAILABLE OPTIONS** Please note \*Optional Accessories are an extra charge and not included in the standard model price.

Accessory Designations:	BA Buy American Construction	HT Hanging Tag (Plastic)
	BX Boxing with Tag	PX Extended Pressure/Temperature Vent
	CC Connection Charge	