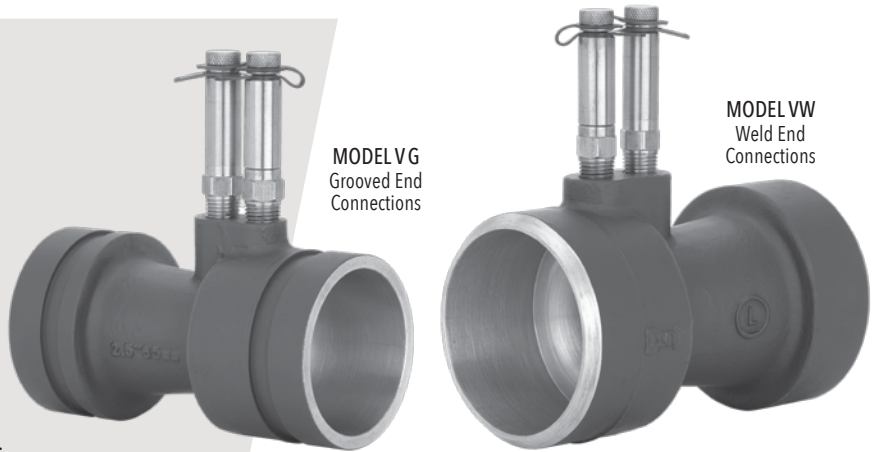


VG/VW Venturi Flowmeters

NuTech's VG/VW Venturi Flowmeters feature a Carbon Steel Venturi Flow Element. Their precision throats provide measurement accuracy of $\pm 3\%$ of flow rate. Model VG offers Grooved End Connections, Model VW offers Weld End Connections. Dual Extended Length Pressure/Temperature Ports and Hanging I.D. Tag.



MODEL VG
Grooved End
Connections

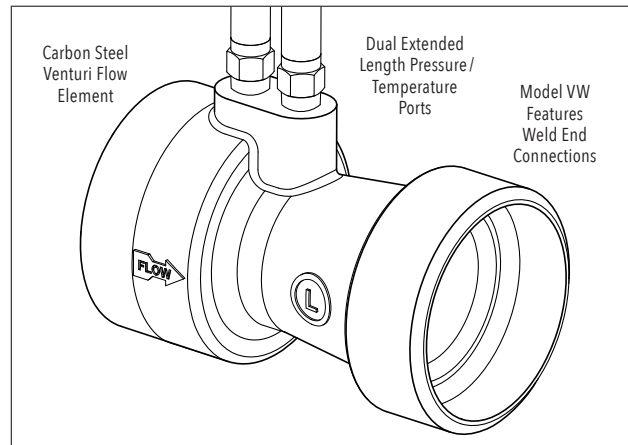
MODEL VW
Weld End
Connections

PRODUCT INFORMATION

PART	MATERIALS
Venturi 2.50" - 6.00"	ASTM A-216 Grade WCB
Venturi 8.00" - 16.00"	ASTM A-120
End Connections	VG = Grooved End Connections VW = Weld End Connections
Metering Ports	Extended Length Pressure/Temperature Ports

SPECIFICATIONS

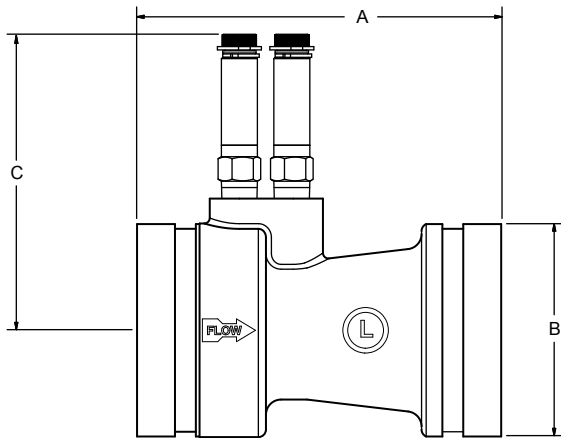
Function:	Venturi Flowmeter
Sizes:	2.50" - 16.00"
Ratings:	Pressures to 400 PSIG (2758 kPa) Temperatures to 250° F (120° C)
Accuracy:	$\pm 3\%$ of flow rate



CONNECTIONS

MODELS	SIZE	INLET /OUTLET CONNECTIONS
VG/VW - 250L	2.50" 65 mm	VG Grooved Ends / VW Weld Ends
VG/VW - 300L	3.00" 80 mm	VG Grooved Ends / VW Weld Ends
VG/VW - 400L	4.00" 100 mm	VG Grooved Ends / VW Weld Ends
VG/VW - 500L	5.00" 125 mm	VG Grooved Ends / VW Weld Ends
VG/VW - 600L	6.00" 150 mm	VG Grooved Ends / VW Weld Ends
VG/VW - 800L	8.00" 200 mm	VG Grooved Ends / VW Weld Ends
VG/VW - 1000L	10.00" 250 mm	VG Grooved Ends / VW Weld Ends
VG/VW - 1200L	12.00" 300 mm	VG Grooved Ends / VW Weld Ends
VG/VW - 1400L	14.00" 350 mm	VG Grooved Ends / VW Weld Ends
VG/VW - 1600L	16.00" 400 mm	VG Grooved Ends / VW Weld Ends

VG/VW 2.50" - 16.00" Venturi Flowmeters



NOMINAL DIMENSIONS & WEIGHTS

MODEL	SIZE			A	B	C	MODEL VG WGT.		MODEL VW WGT.	
	in	mm					lbs	kg	lbs	kg
VG/VW-250L	2.50"	65	in	5.50	2.88	4.25	3.39	1.54	3.50	1.59
			mm	139.70	73.15	107.90				
VG/VW-300L	3.00"	80	in	6.00	3.50	4.59	4.91	2.23	5.02	2.28
			mm	152.40	76.20	116.59				
VG/VW-400L	4.00"	100	in	7.50	4.50	5.07	8.27	3.75	8.40	3.81
			mm	190.50	114.30	128.78				
VG/VW-500L	5.00"	125	in	8.75	5.56	5.58	13.02	5.91	13.14	5.96
			mm	222.25	141.22	141.73				
VG/VW-600L	6.00"	150	in	10.25	6.63	6.09	18.78	8.52	18.94	8.59
			mm	260.35	168.40	154.69				
VG/VW-800L	8.00"	200	in	12.50	8.63	7.05	34.00	15.42	35.30	16.01
			mm	317.50	219.20	179.07				
VG/VW-1000L	10.00"	250	in	13.50	10.75	8.11	50.50	23.00	51.00	23.10
			mm	342.90	273.05	206.00				
VG/VW-1200L	12.00"	300	in	12.00	12.75	7.63	70.30	31.88	70.90	32.16
			mm	304.80	323.85	193.80				
VG/VW-1400L	14.00"	350	in	19.00	14.00	8.25	72.30	32.79	72.30	32.79
			mm	482.60	355.60	209.55				
VG/VW-1600L	16.00"	400	in	26.00	16.00	9.25	144.00	65.31	144.00	65.31
			mm	660.40	406.40	234.95				

ORDERING DESIGNATION

VG - 300 - L - XX

MODEL _____
 VG-300L (Groove End Shown), VW = Weld End

FLOWMETER SIZE _____
 2.50", 3.00" (Shown), 4.00", 5.00", 6.00",
 8.00", 10.00", 12.00", 14.00", 16.00"

CONTROL RANGE _____
 L = Low

ACCESSORIES _____
 *Optional Accessories Designations Below

AVAILABLE OPTIONS Please note *Optional Accessories are an extra charge and not included in the standard model price.

Accessory Designations:	BA Buy American Construction	HT Hanging Tag (Plastic)
	BX Boxing with Tag	PX Extended Pressure/Temperature Vent
	CC Connection Charge	