

MP

2.50" - 6.00" Manual Balancing Valve

NuTech's MP Manual Balancing Valve offers manual balancing and shut off. Valve features a Carbon Steel Venturi Flow Element with precision machined throat which provides measurement accuracy of $\pm 3\%$ of flow rate. Mounted on the discharge is a Cast Steel Ball Valve with Adjustable Flow Positioning Plate. ANSI Class 150# flanged End Connections. Standard features include dual Extended Length Pressure/Temperature Ports and Hanging I.D. Tag.

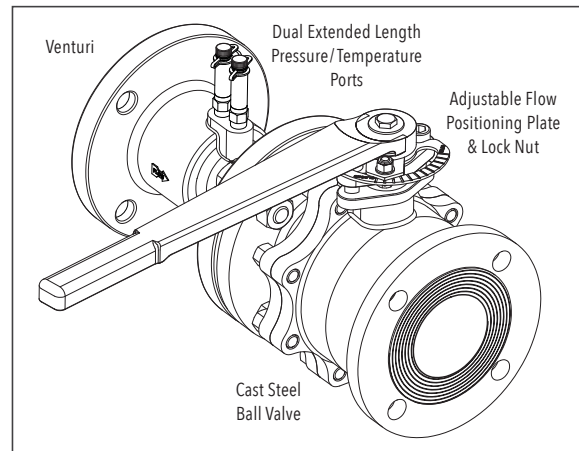


PRODUCT INFORMATION

PART	MATERIALS
Venturi	ASTM A216 Grade WCB
Ball Valve Body	Cast Steel
Ball	304 Stainless Steel
Stem	304 Stainless Steel
Seat	Teflon
End Connections	ANSI Class 150# Flanged
Gasket	1/8" Thick 150# Non-asbestos, Ring
Bolts	(ASTM) A307 Grade B
Nuts	Zinc Plated, Heavy Hex Nut
Metering Ports	Extended Length Pressure/Temperature

SPECIFICATIONS

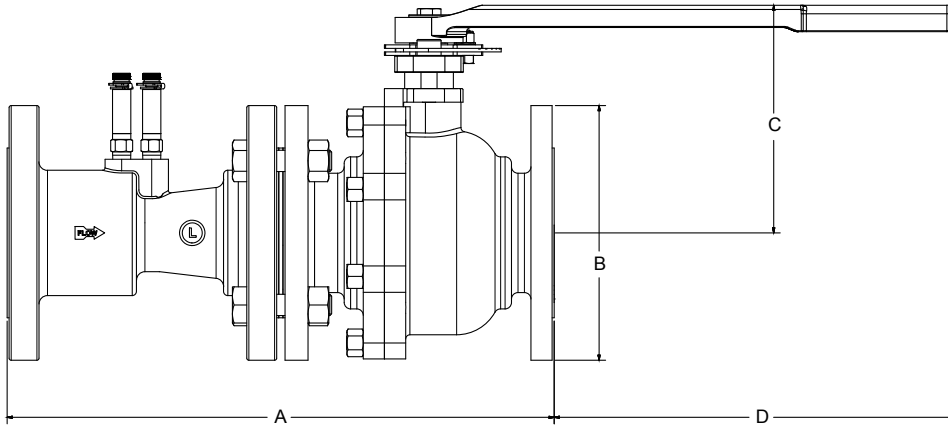
Function:	Manual Balancing Valve and Shut Off Ball Valve
Sizes:	2.50" - 6.00"
Ratings:	Pressures to 240 PSIG (1654 kPa) Temperatures to 250° F (120° C)
Accuracy:	$\pm 3\%$ of flow rate



CONNECTIONS

MODEL	SIZE	INLET CONNECTION	OUTLET CONNECTION
MP - 250L	2.50" 65 mm	ANSI Class 125/150# Flanged	Ball Valve
MP - 300L	3.00" 80 mm	ANSI Class 125/150# Flanged	Ball Valve
MP - 400L	4.00" 100 mm	ANSI Class 125/150# Flanged	Ball Valve
MP - 500L	5.00" 125 mm	ANSI Class 125/150# Flanged	Ball Valve
MP - 600L	6.00" 150 mm	ANSI Class 125/150# Flanged	Ball Valve

MP 2.50" - 6.00" Manual Balancing Valve



NOMINAL DIMENSIONS, WEIGHTS & FLOWS

MODEL	SIZE			A	B	C	D	WEIGHT	
	in	mm						lbs	kg
MP-250L	2.50"	65	in	14.61	7	6.1	6.5	49.5	22.5
			mm	371	180	155	165		
MP-300L	3.00"	80	in	16.12	7.5	7.4	6	54.9	24.9
			mm	409.4	190	188	153		
MP-400L	4.00"	100	in	18.64	9	8.1	7.8	99.5	45.1
			mm	473.5	230	206	198		
MP-500L	5.00"	125	in	25.14	10	10.0	18	146	66.2
			mm	638.6	254	254	457		
MP-600L	6.00"	150	in	28.14	11	11.0	17.5	197.8	89.7
			mm	714.7	280	280	445		

Nominal Dimensions & Weights shown above are not to be used for construction purposes unless first certified by the Factory.

ORDERING DESIGNATION

MP - 300 - L - XX

MODEL

MP-300L (Shown)

VALVE BODY SIZE

3.00" (Shown)

CONTROL RANGE

L = Low

ACCESSORIES

*Optional Accessories Designations Below

AVAILABLE OPTIONS Please note *Optional Accessories are an extra charge and not included in the standard model price.

Accessory Designations: BA Buy American Construction HT Hanging Tag (Plastic)
 BX Boxing with Tag PX Extended Pressure/Temperature Vent
 CC Connection Charge