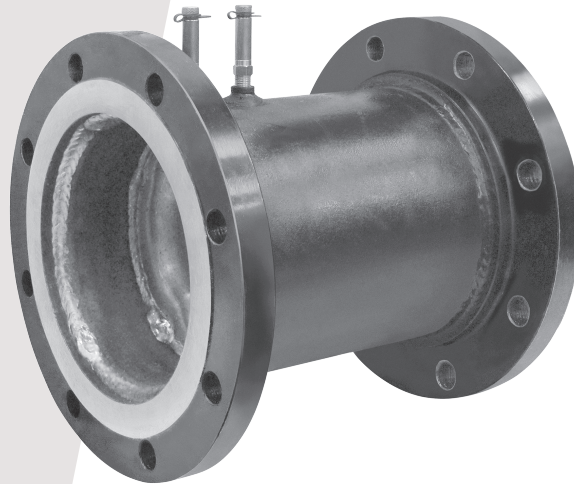


## VF

### 8.00" - 16.00" Venturi Flowmeter

NuTech's VF Venturi Flowmeter features a fabricated steel Venturi Flow Element with a welded steel insert which provides measurement accuracy of  $\pm 3\%$  of flow rate and ANSI Class 150# Flanged End Connections. Standard features include dual Extended Length Pressure/Temperature Ports and Hanging I.D. Tag.

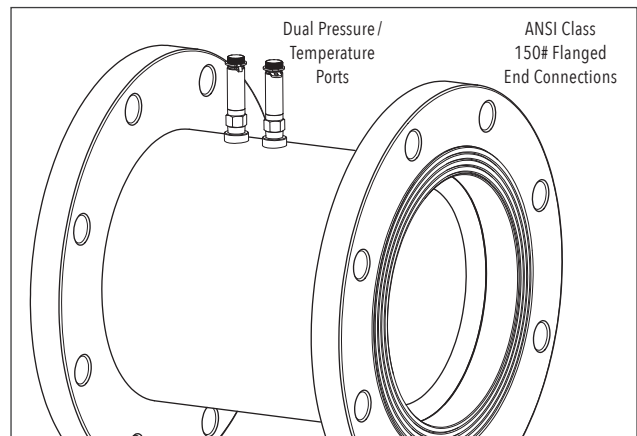


#### PRODUCT INFORMATION

PART	MATERIALS
Venturi	ASTM A-216 Grade WCB
End Connections	ANSI Class 150# Flanged Optional ANSI Class 300# Flanged
Metering Ports	Extended Length Pressure/Temperature Ports

#### SPECIFICATIONS

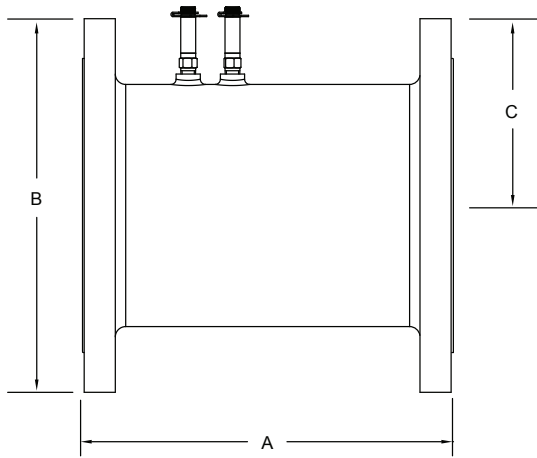
Function:	Venturi Flowmeter
Sizes:	8.00" - 16.00"
Ratings:	Pressures to 240 PSIG (1654 kPa) Temperatures to 250° F (120° C)
Accuracy:	$\pm 3\%$ of flow rate



#### CONNECTIONS

MODEL	SIZE	INLET/OUTLET CONNECTIONS
VF - 800L	8.00" 200 mm	ANSI Class 150# Flanged
VF - 1000L	10.00" 250 mm	ANSI Class 150# Flanged
VF - 1200L	12.00" 300 mm	ANSI Class 150# Flanged
VF - 1400L	14.00" 350 mm	ANSI Class 150# Flanged
VF - 1600L	16.00" 400 mm	ANSI Class 150# Flanged

## VF 8.00" - 16.00" Venturi Flowmeter



### NOMINAL DIMENSIONS & WEIGHTS

MODEL	SIZE			A	B	C	WEIGHT	
	in	mm					lbs	kg
VF-800L	8.00"	200	in	13.50	13.50	6.75	91.0	41.27
			mm	342.9	342.9	171.45		
VF-1000L	10.00"	250	in	15.00	16.00	8.00	117.5	53.29
			mm	381.0	406.4	203.2		
VF-1200L	12.00"	300	in	16.38	19.00	9.50	185.0	83.00
			mm	416.0	482.6	241.3		
VF-1400L	14.00"	350	in	24.00	21.00	10.50	305.0	138.34
			mm	609.6	533.6	266.7		
VF-1600L	16.00"	400	in	36.00	23.50	11.75	435.0	197.31
			mm	914.4	596.9	298.45		

Nominal Dimensions & Weights shown above are not to be used for construction purposes unless first certified by the Factory.

### ORDERING DESIGNATION

**VF - 800 - L - XX**



\*Optional Accessories Designations Below

**AVAILABLE OPTIONS** Please note \*Optional Accessories are an extra charge and not included in the standard model price.

Accessory Designations:	BA Buy American Construction	HT Hanging Tag (Plastic)
	BX Boxing with Tag	PX Extended Pressure/Temperature Vent
	CC Connection Charge	